

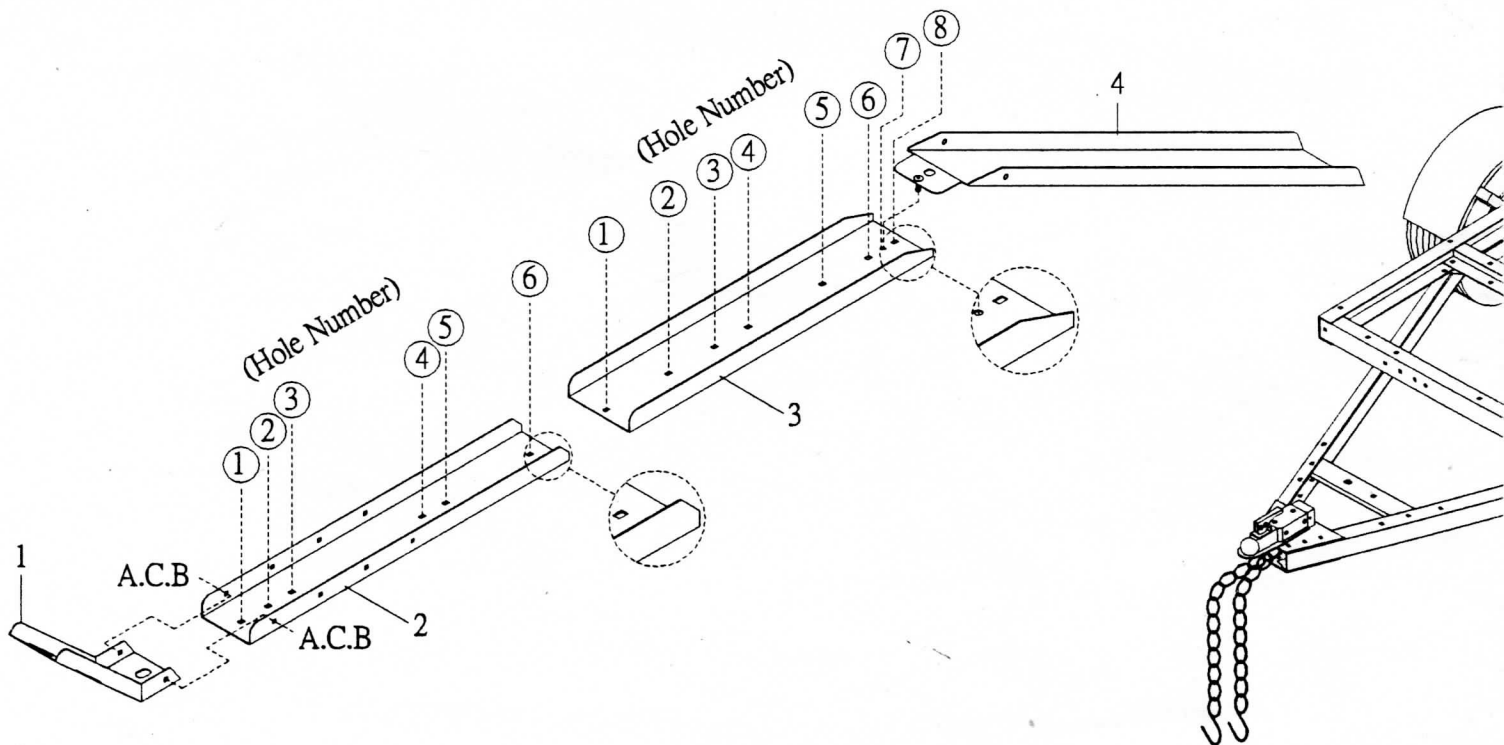
PARTS LIST FOR #TS-76M MOTORCYCLE RAIL KIT

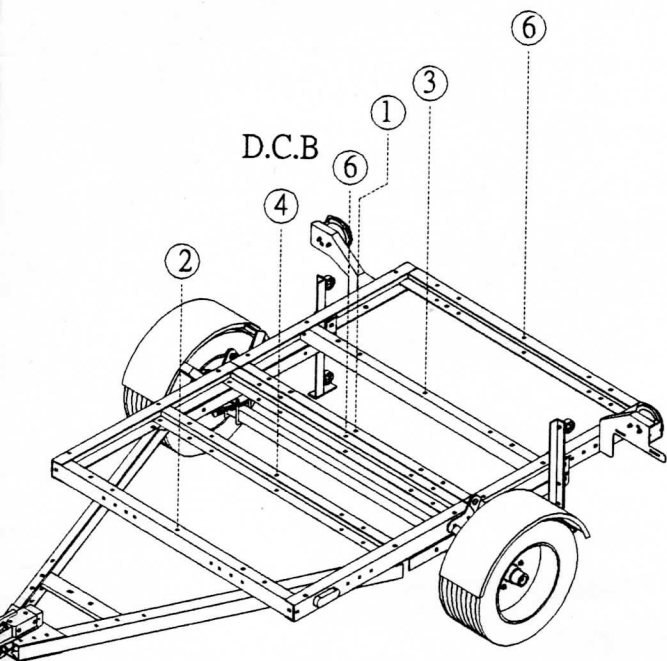
P/N	Q'TY	DESCRIPTION	P/N	Q'TY	DESCRIPTION
1	1	Wheel stop U-channel	A	4	3/8" x 7/8" Carriage bolt
2	1	Front U-channel (Narrow)	B	11	3/8" Nuts
3	1	Rear U-channel (Wide)	C	10	3/8" Flat washer
4	1	Ramp	D	6	3/8" x 1-1/2" Carriage bolt
5	2	Ramp bracket	P	1	3 mm R pin
6	1	1/2" L Latch			

Note : (A) Please identified front and rear U-channel (2,3) before assemble, as shown in diagram.

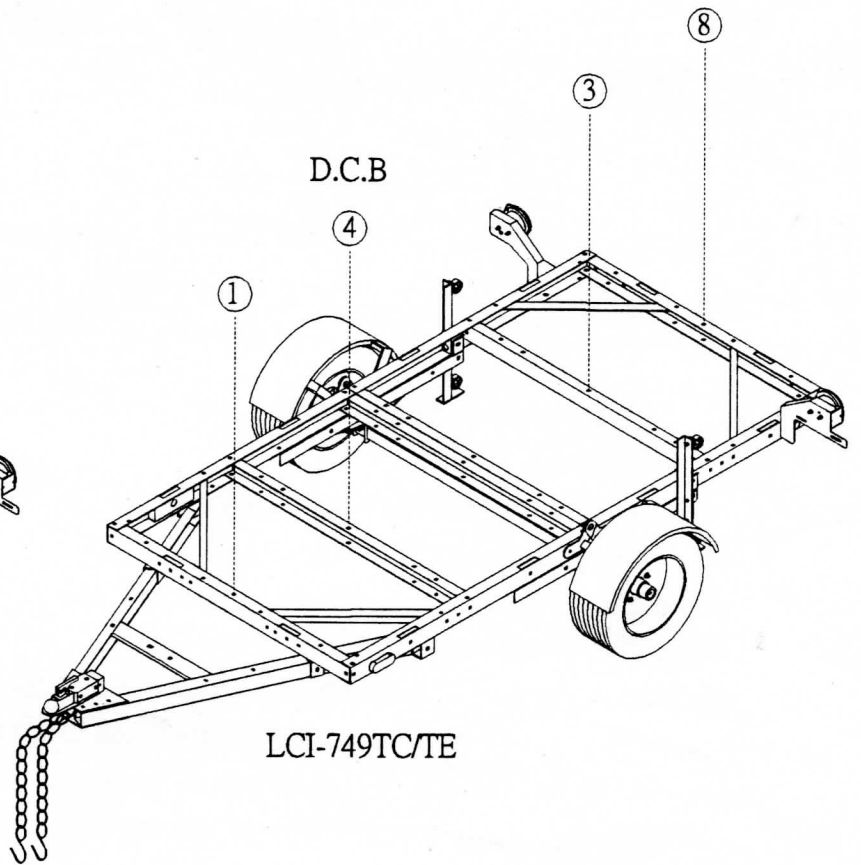
(B) Please add the plywood on the bed of LCI-749 Trailer, before assemble the motorcycle rail on it.

1. According to the holes numbers of front & rear U-channel (2, 3) assemble U-channel to trailer's frame by using 3/8" x 1-1/4" carriage bolts (D), 3/8" flat washers (C) and 3/8" nuts (B), as shown in diagram.
2. Assemble wheel stop U-channel (1) to front U-channel by using 3/8" x 7/8" carriage bolts (A), 3/8" flat washers (C) and 3/8" nuts (B).
3. Assemble the ramp brackets (5) to bottom of trailer by using 3/8" x 7/8" carriage bolts (A), 3/8" flat washers (C) and 3/8" nuts (B), the nuts and bolts should not be completely tightened until the ramp (4) put into the ramp bracket.
4. Secure ramp (4) on the end of rear U-channel with welded bolt and 3/8" nuts (C).
5. Put the ramp into the ramp bracket then secure by 1/2" L latch (6) and 3 mm R pin before using the trailer.





LCI-746TC/TE



LCI-749TC/TE

