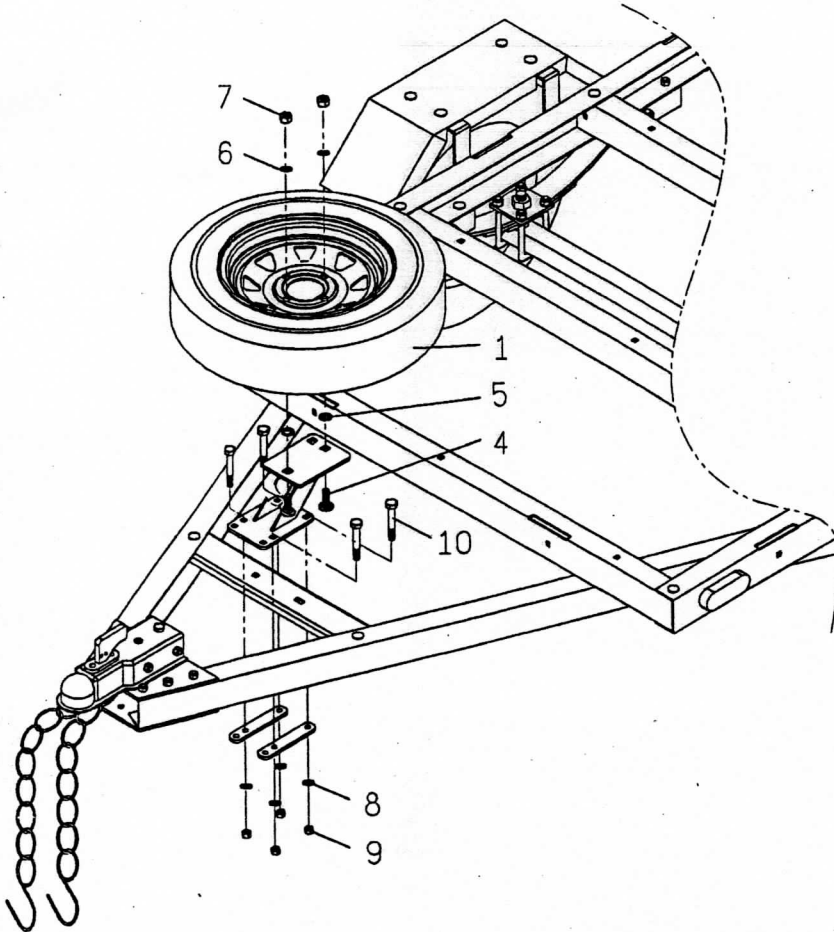
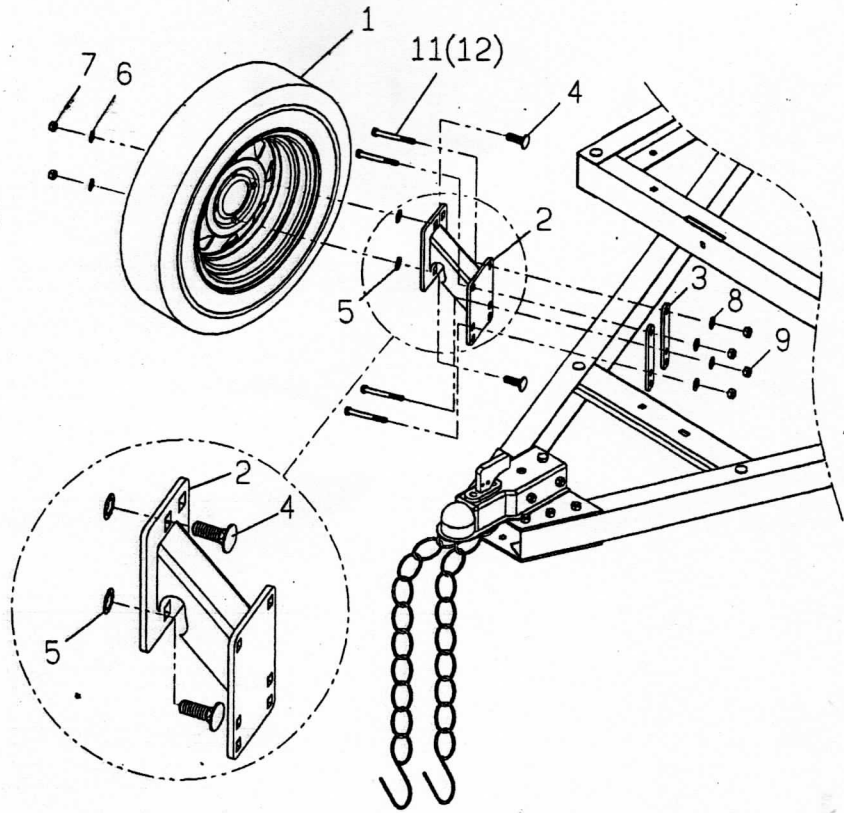


**PARTS LIST FOR TS-70T
SPARE TIRE CARRIER**

P/N	Q'TY	DESCRIPTION	P/N	Q'TY	DESCRIPTION
2	1	Bracket	7	2	1/2" nut
3	2	Brace	8	4	3/8" flat washer
4	2	1/2" x 1-1/2" carriage bolt	9	4	3/8" nylon nut
5	2	1/2" push nut	10	4	3/8" x 1-3/4" carriage bolt
6	2	1/2" flat washer	11	4	3/8" x 3" carriage bolt

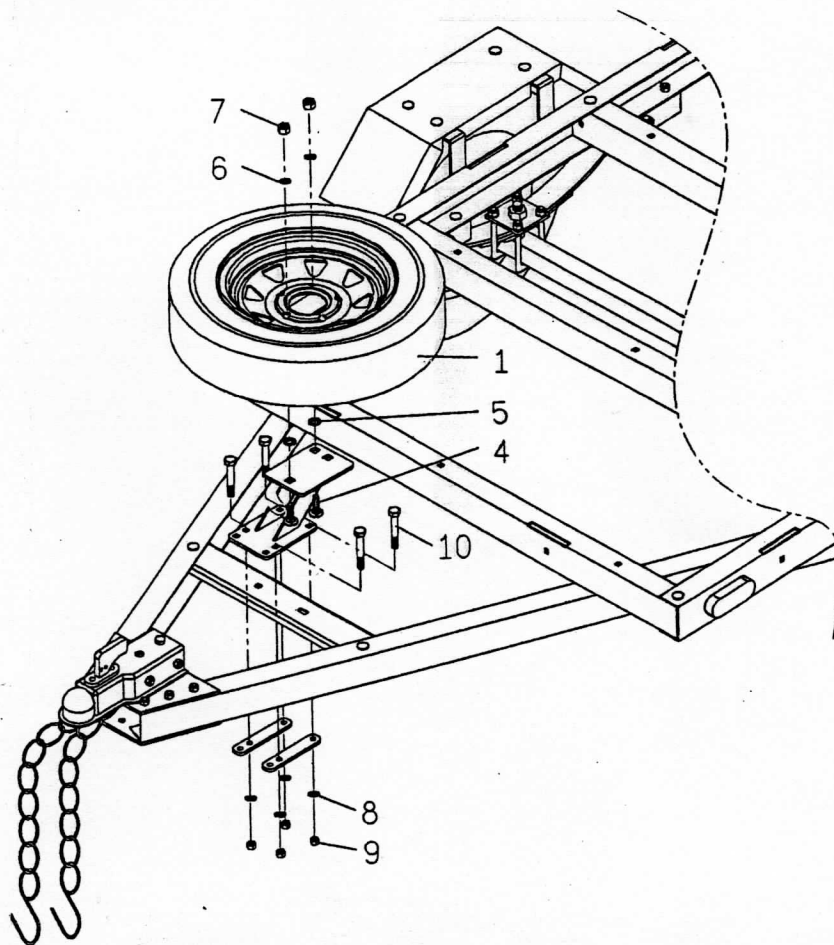
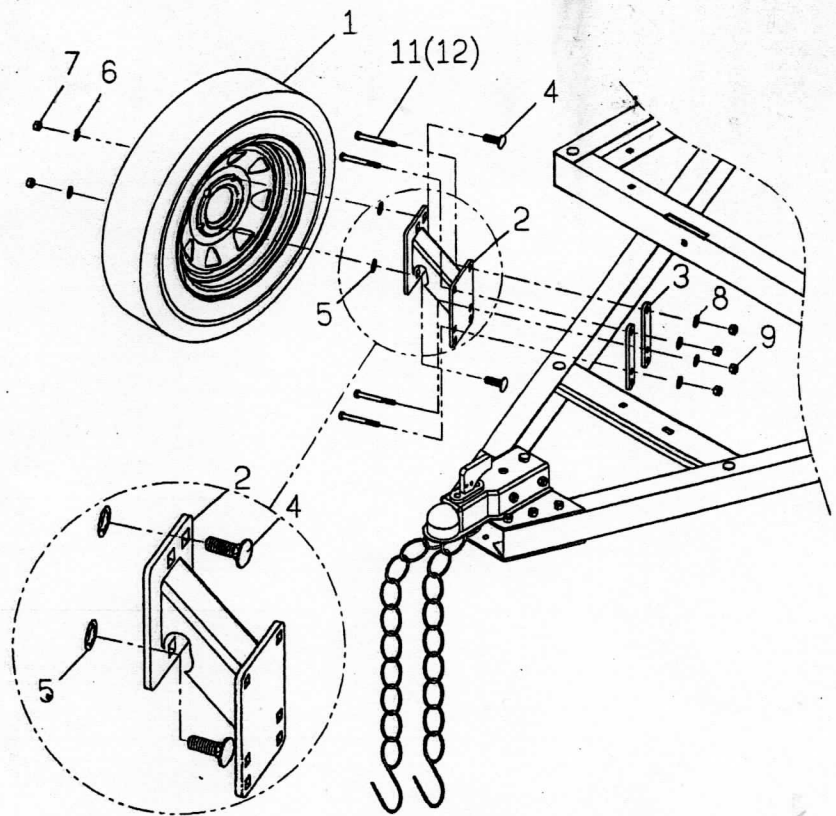
1. ****Note:** According to the trailer frame's size, please choice the bolt size - 3/8" x 1-3/4" (10) or 3/8" x 3" (11) carriage bolts -, before assemble the bracket (2) to the trailer's frame.
2. Assemble bracket (2) and braces (3) to the trailer's frame by using "3/8" x 1-3/4" (10) or 3/8" x 3" (11) carriage bolts", 3/8" flat washers (8) and 3/8" nylon nuts (9).
3. ****Note:** Please identified the bolt circle on your spare tire/wheel assembly (not included) "4" = 4 holes, 4-1/2" = 5 holes", before attach 1/2" x 1-1/2" carriage bolts (4) to the bracket.
4. Attach 1/2" x 1-1/2" carriage bolts (4) to the bracket (2) by using 1/2" push nuts (5).
5. Put spare tire/wheel to 1/2" x 1-1/2" carriage bolts (4) on the bracket (2) by using 1/2" flat washers (6) and 1/2" nuts (7).

Wheel : 4 holes
Attach P/N 4,
1/2" x 1-1/2" carriage bolt
to top CENTER hole
on bracket.



Wheel : 4 holes
Attach P/N 4,
1/2" x 1-1/2" carriage bolt
to top CENTER hole
on bracket.

Wheel : 5 holes
Attach P/N 4,
1/2" x 1-1/2" carriage bolt
to top SIDE hole
on bracket.



Wheel : 5 holes
Attach P/N 4,
1/2" x 1-1/2" carriage bolt
to top SIDE hole
on bracket.